

Workstation Typicals

As our world goes back to work after COVID-19, we will continue to change and evolve into workplace design that is the “new normal”. The good news is that many of the workplace design layouts that are popular among our customers, already have a 6’ distancing barrier built in. The following designs are just a few of our standard typicals that are friendly for the 6’ office.



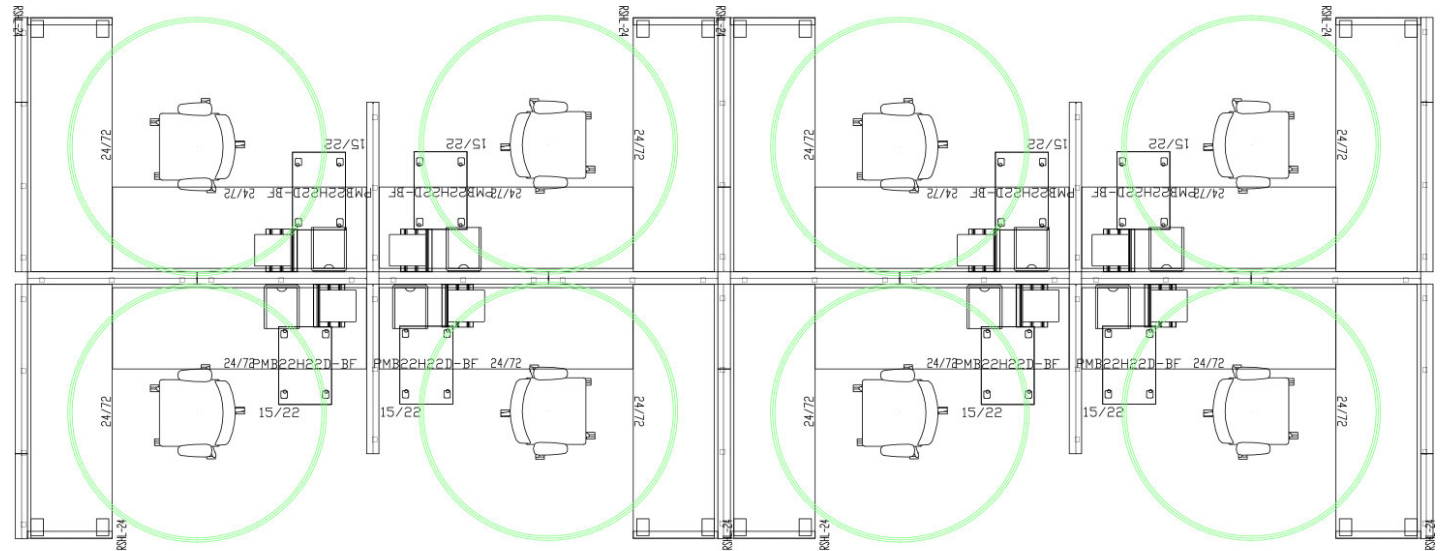
TYPICAL

1



DESCRIPTION

- 6' x 8' Station at 46" High
- Rail Tile with Paper Management
- Mobile BF Pedestal with Cushion Top
- 2 Duplex Receptacles Per Station
- Up-Mount Frosted Acrylic



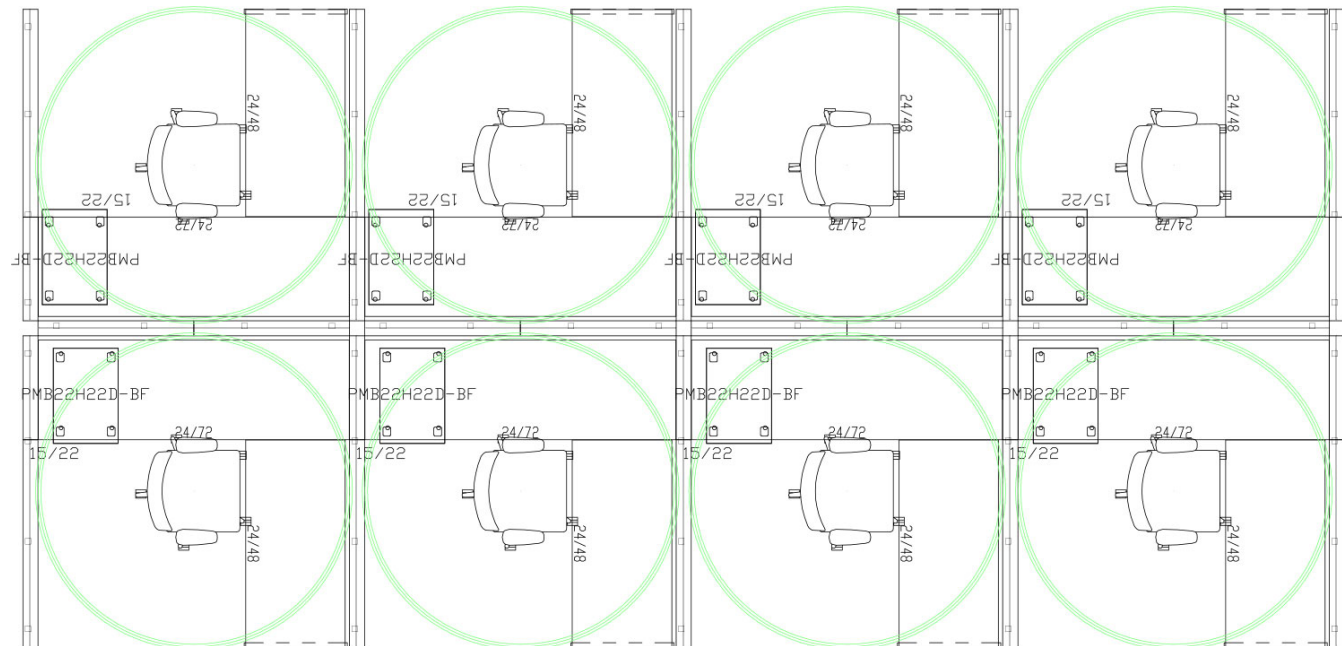
TYPICAL

3



DESCRIPTION

- 6' x 6' Station at 54" High
- Mobile BF Pedestal w Cushion Top
- 2 Duplex Receptacles Per Station
- Up-Mount Acrylic

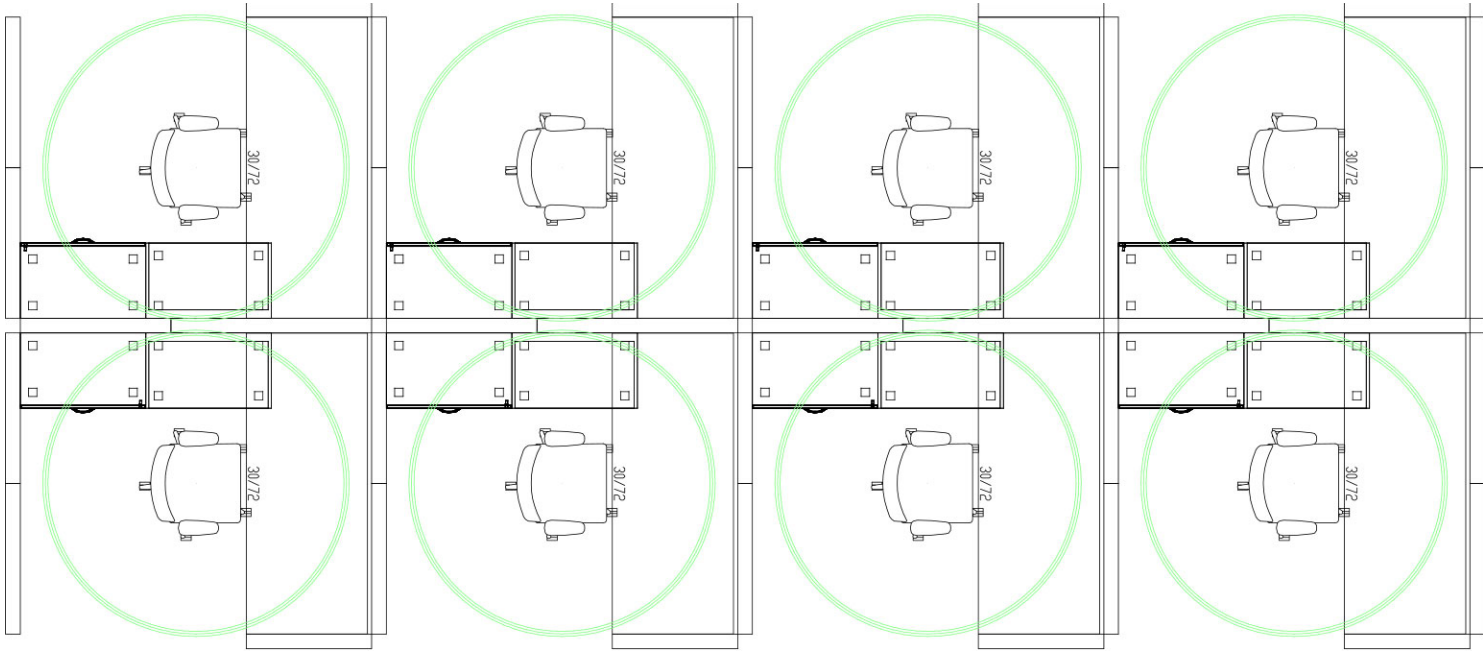


TYPICAL

4

DESCRIPTION

- 6' x 7' Station at 54" High
- Low Height Storage w Cushion Top
- 2 Duplex Receptacles Per Station
- Markerboard Tile Per Station



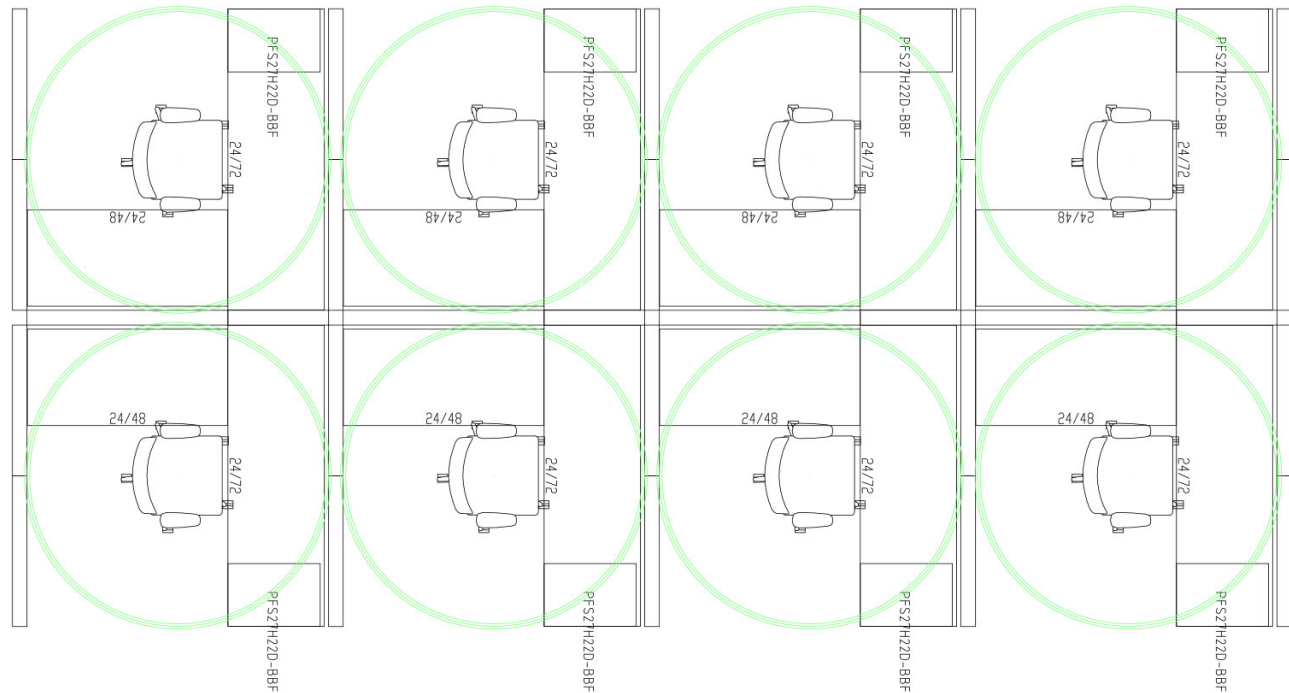
TYPICAL

7



DESCRIPTION

- 6' x 6' Station at 54" High
- Top Position Glass Tiles Along Wing Panels
- BBF Pedestal Storage
- 2 Duplex Receptacles Per Station



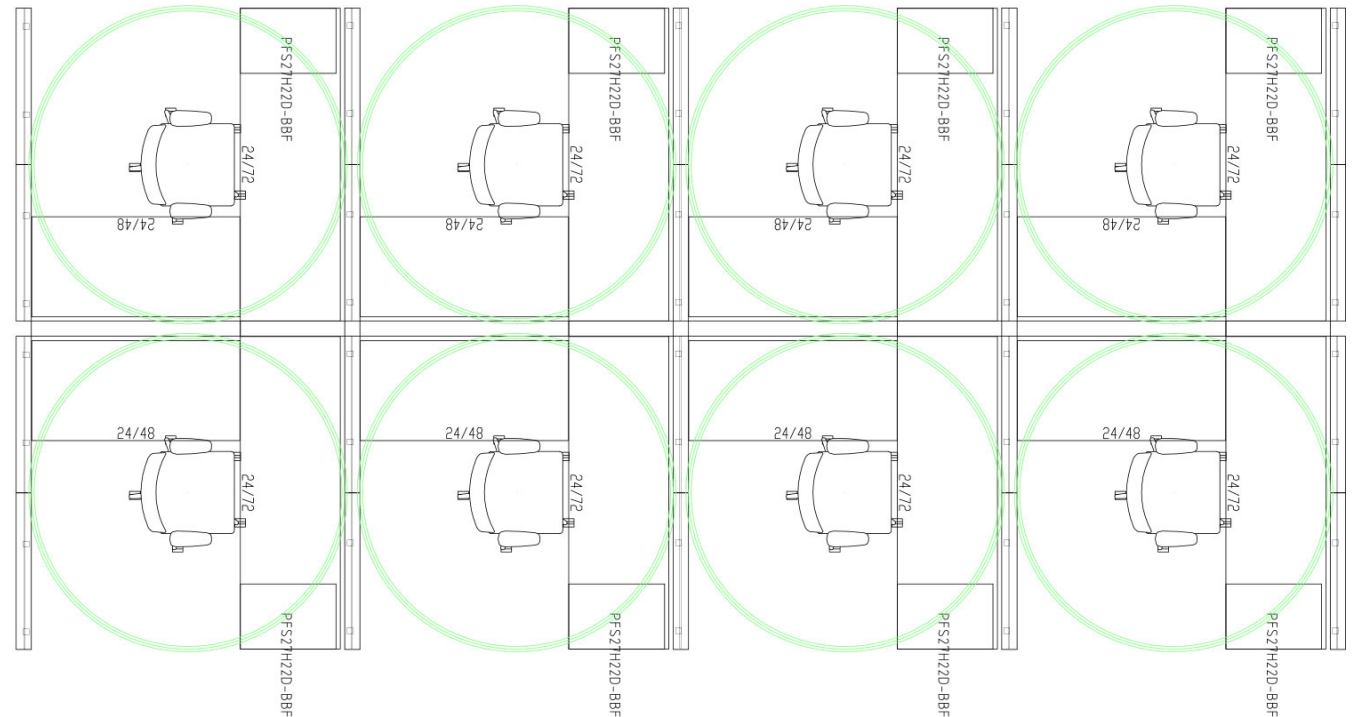
TYPICAL

9



DESCRIPTION

- 6' x 6' Station at 54" High Along Spine & 46" High Along Wing Panels
- BBF Pedestal Storage
- 2 Duplex Receptacles Per Station
- Up-Mount Frosted Acrylic

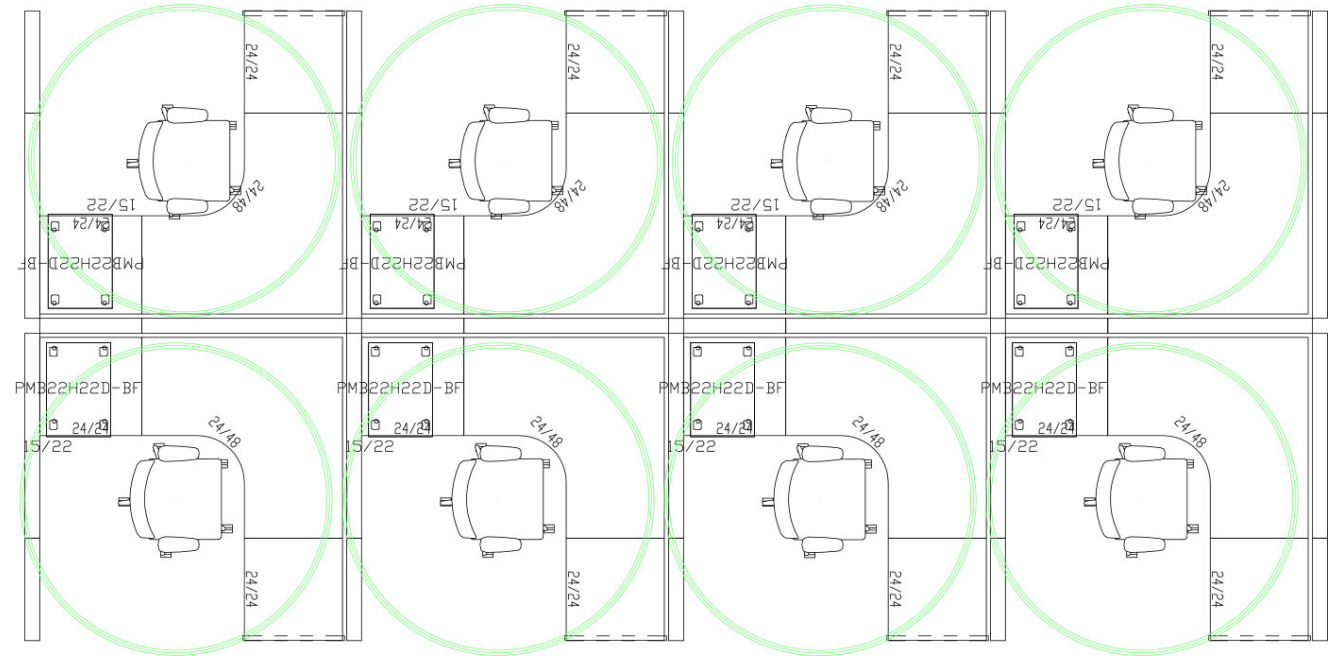


TYPICAL 10



DESCRIPTION

- 6' x 6' Station at 54" High
- Top Position Glass Tiles
- Mobile BF Pedestal with Cushion Top
- 2 Duplex Receptacles Per Station



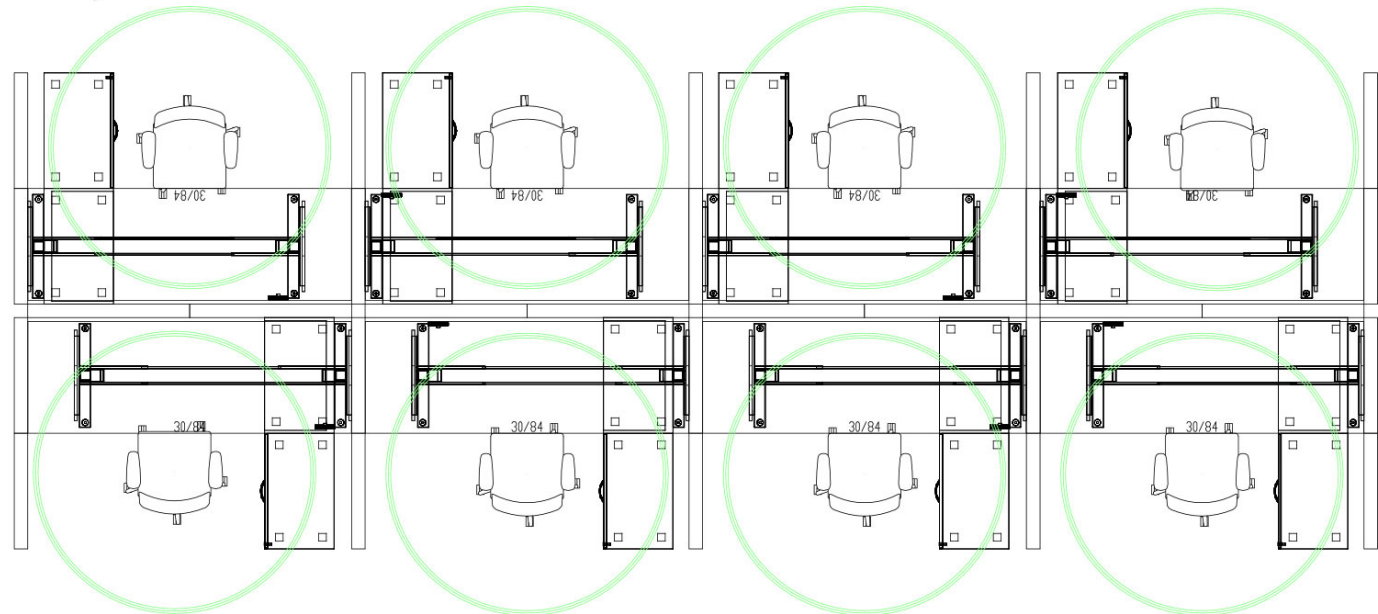
TYPICAL

11



DESCRIPTION

- 5' x 7' Station at 54" High
- Sit-To-Stand Surface
- Low Height Storage w Cushion Top
- 2 Duplex Receptacles Per Station

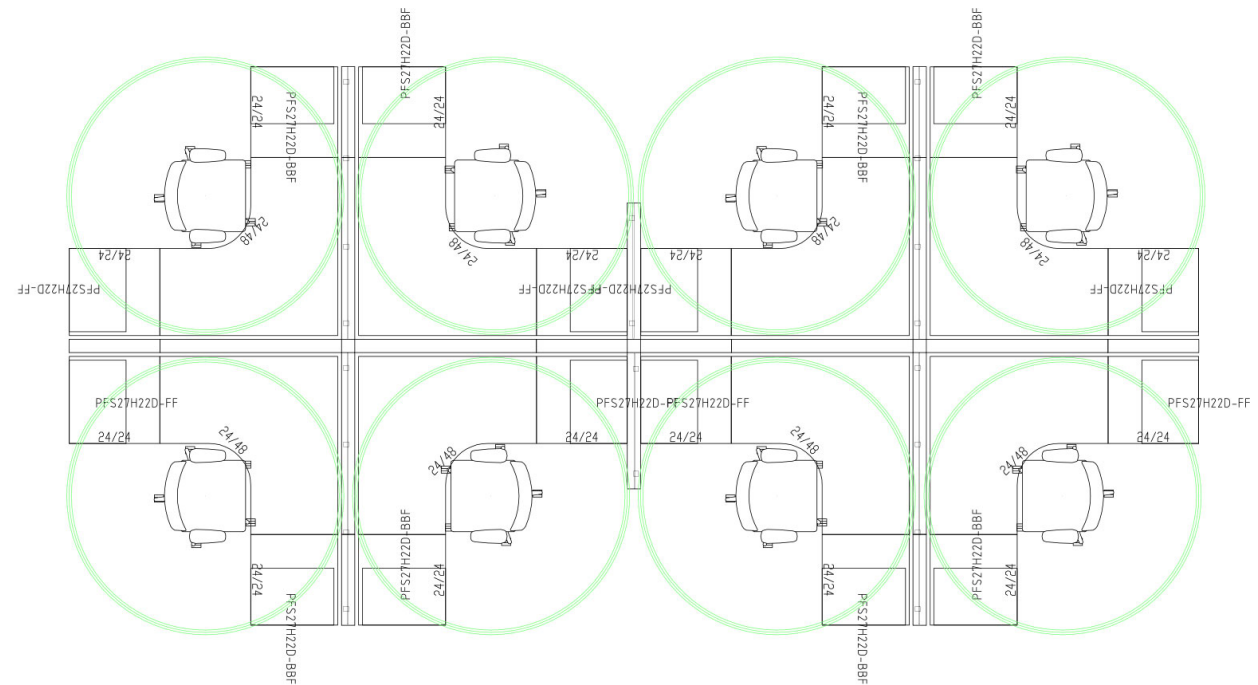


TYPICAL 17



DESCRIPTION

- 6' x 6' Station at 54" High Along Spine & 38" High Along Wing Panels
- BBF & FF Pedestal
- 2 Duplex Receptacles Per Station
- Up-Mount Frosted Acrylic

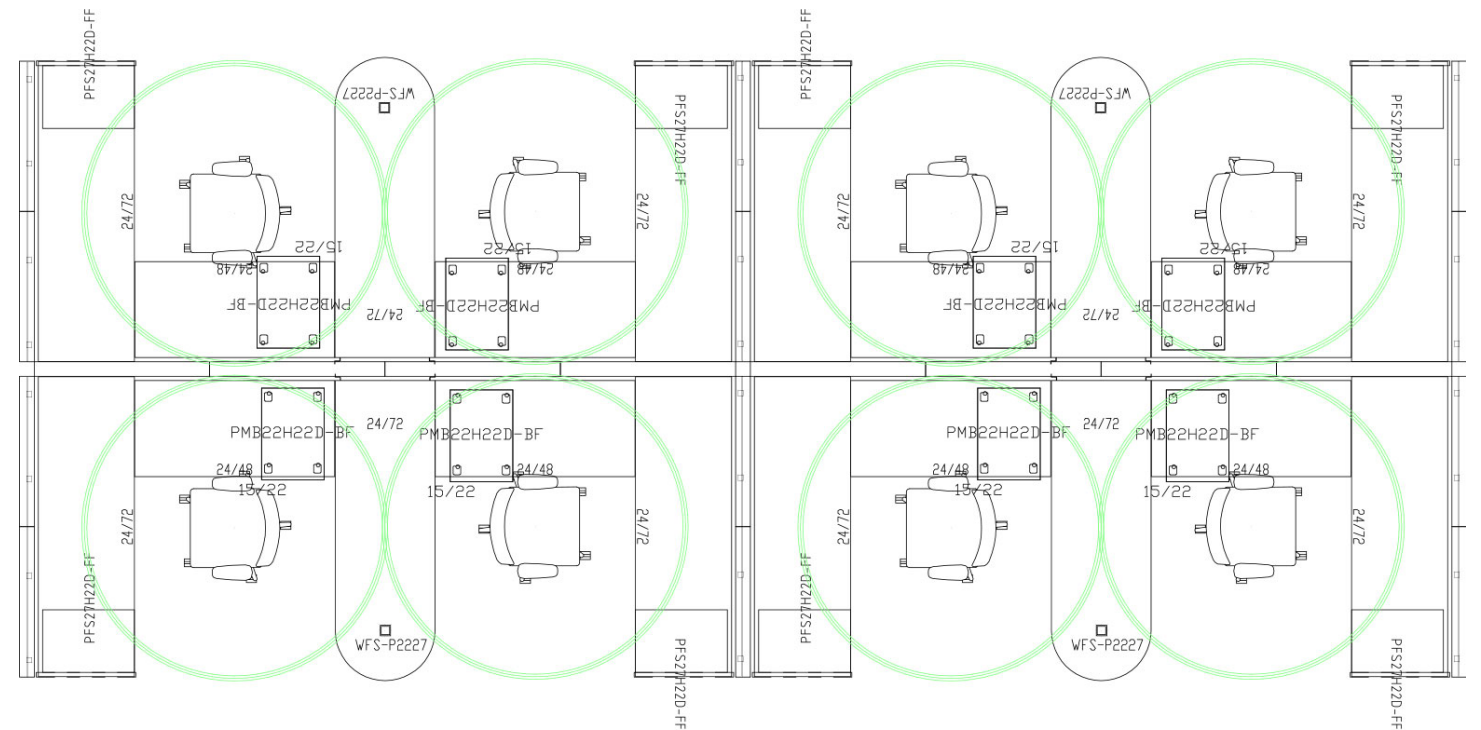


TYPICAL 21



DESCRIPTION

- 6' x 7' Station at 54" High Along Spine & 38" High Along Wing Panels
- Shared Peninsula Space
- FF Pedestal Storage
- Mobile Pedestal with Cushion Top
- 2 Duplex Receptacles Per Station
- Up-Mounted Frosted Acrylic

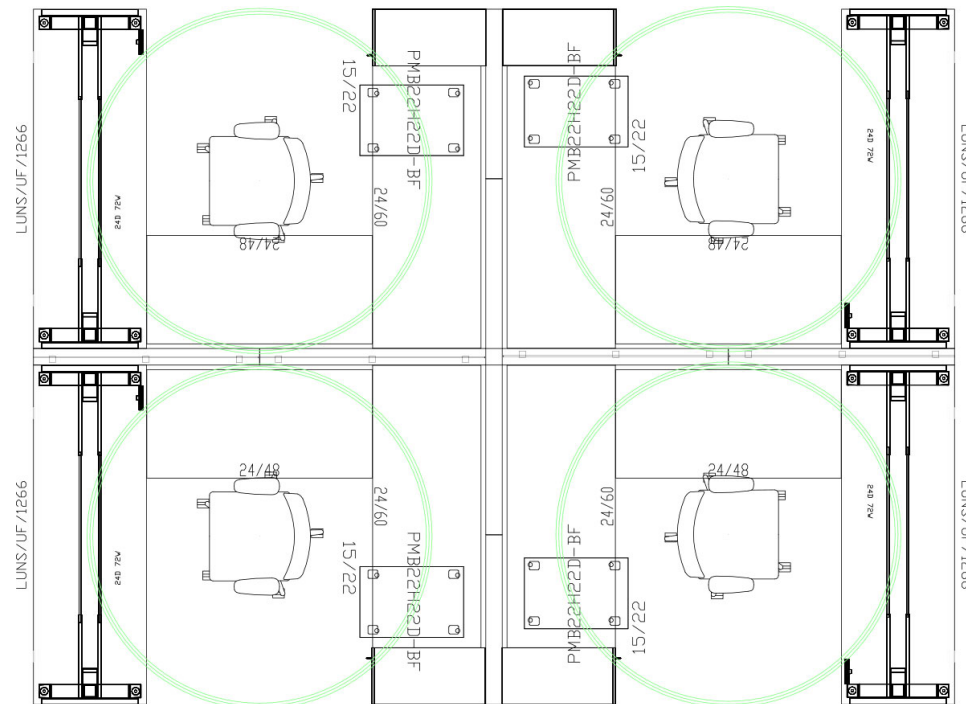


TYPICAL 22



DESCRIPTION

- 6' x 8' Station at 46" High
- Sit-To-Stand Surface
- Up Mount Privacy Screen
- Wardrobe Tower
- Mobile BF Pedestal with Cushion Top
- 2 Duplex Receptacles Per Station
- Up-Mounted Frosted Acrylic

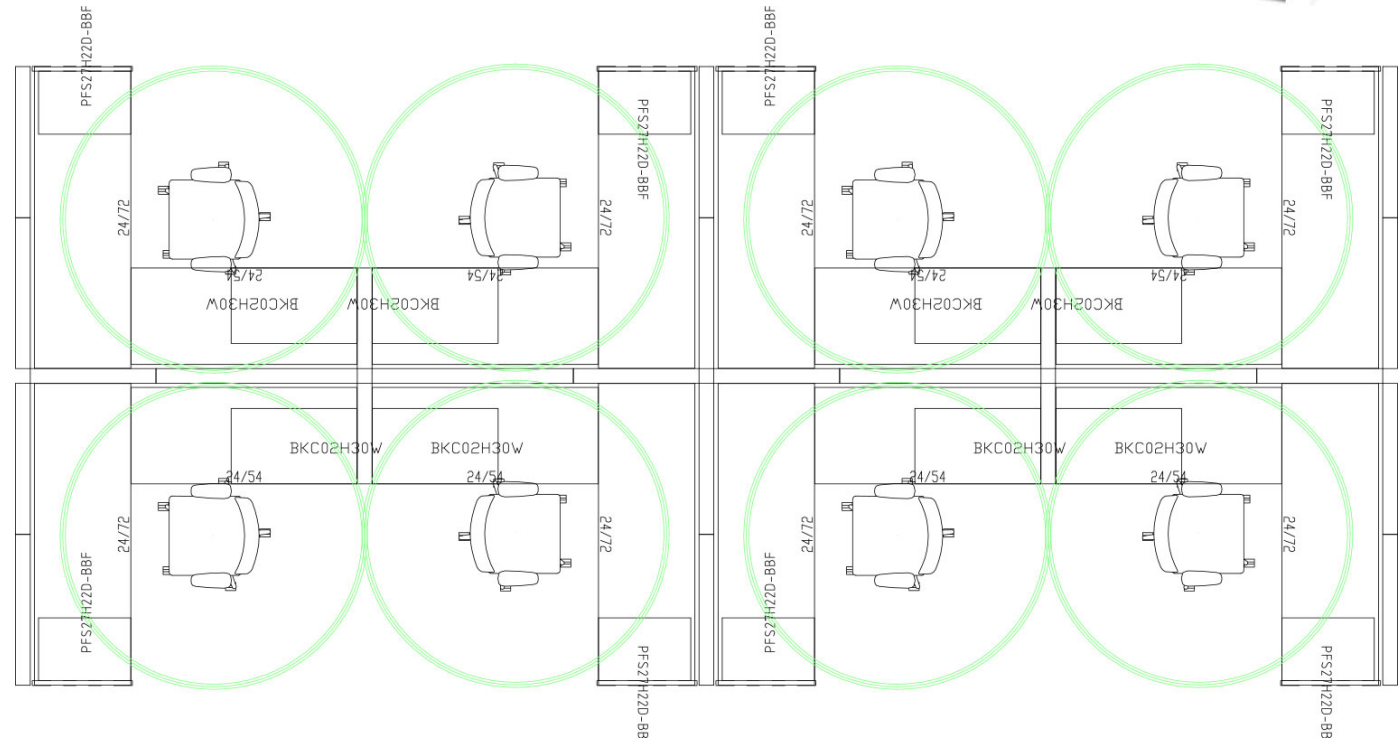


TYPICAL 23



DESCRIPTION

- 6' x 6.5' Station at 54" High
- BBF Pedestal Storage
- Undersurface Bookcase
- 2 Duplex Receptacles Per Station

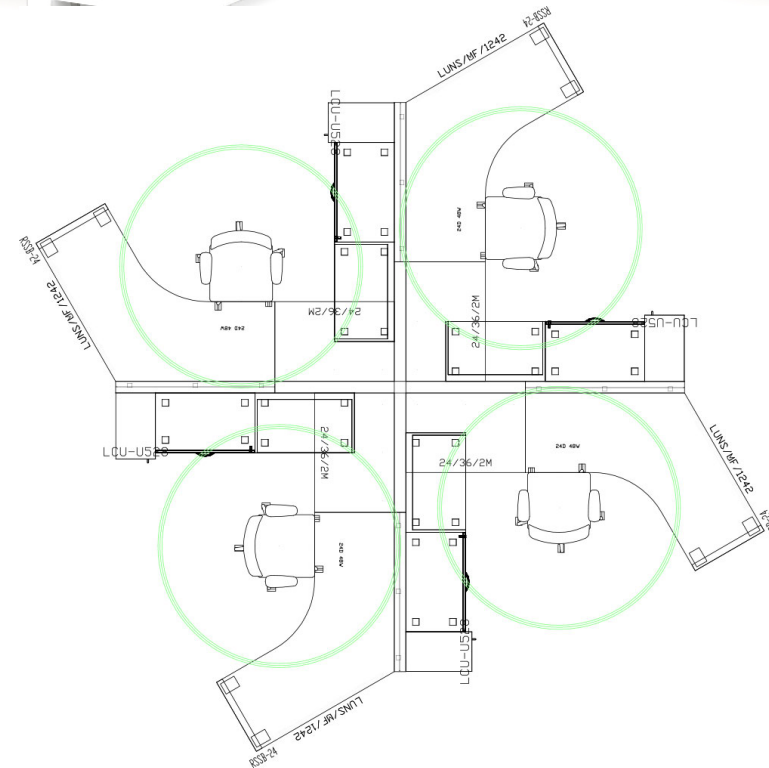


TYPICAL 24



DESCRIPTION

- 7' x 7' 120 Degree Station at 46" High & Drops Down to 38" High
- Fabric Modesty Screen & Up-Mount Screen
- Wardrobe Tower
- Low Height Storage w Cushion Top
- 2 Duplex Receptacles Per Station
- Up-Mount Frosted Acrylic
- Markerboard Tile Per Station

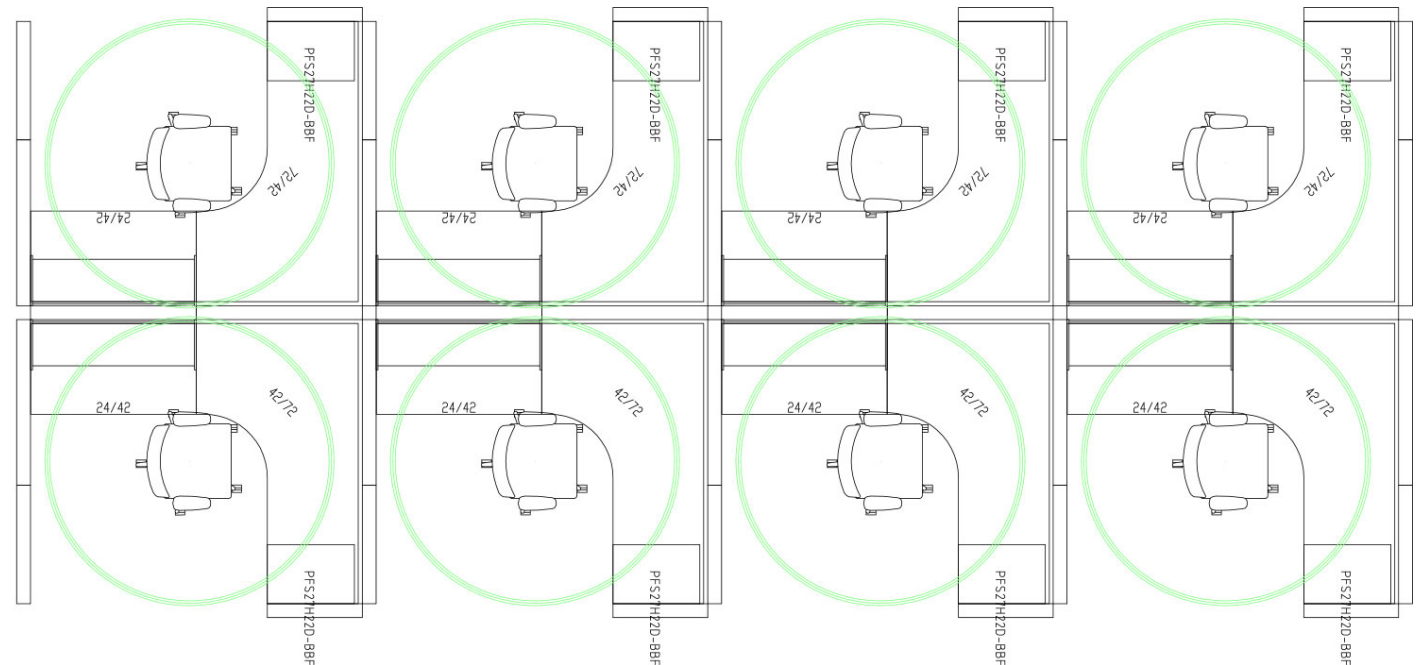


TYPICAL 25



DESCRIPTION

- 6' x 7' Station at 62" High
- BBF Pedestal Storage
- Overhead Open Shelf
- 2 Duplex Receptacles Per Station

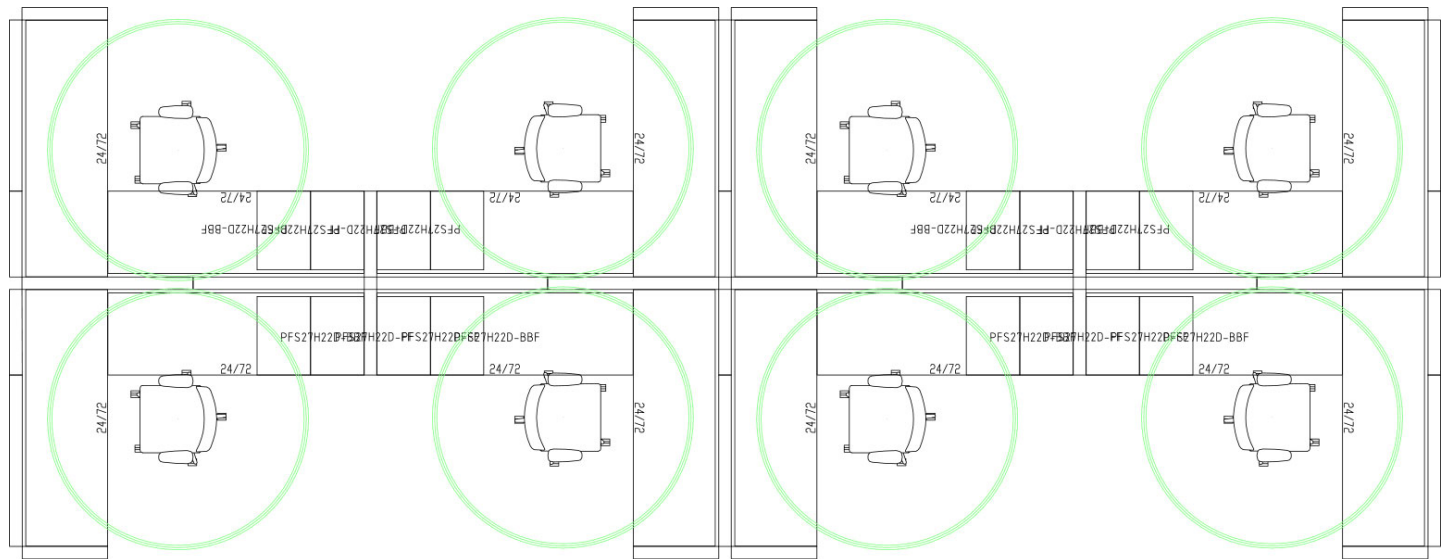


TYPICAL 26



DESCRIPTION

- 6' x 8' Station at 54" High
- BBF & FF Pedestal Storage
- 2 Duplex Receptacles Below & Above Surface Per Station
- Markerboard Tile Per Station



For more design layouts, research, and idea starters, visit us at:

www.ethosource.com

