



ALOFT[®]
Height-Adjustable Benching

AIS

SIT-TO-STAND BENCHING SUPPORTS POSTURE SHIFTS THROUGHOUT THE DAY

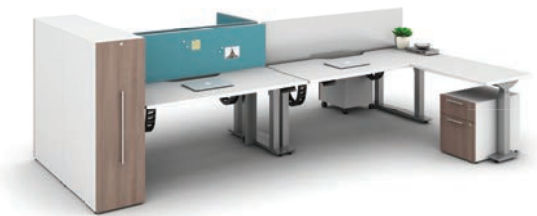
Aloft is a unique height-adjustable benching solution designed for a modern open space plan. This product platform combines the features and functionality of a bench system with the ergonomic and documented health benefits of standing while working.

With its sleek and flexible design, Aloft, provides unparalleled space planning choices. With its uncompromised strength and ergonomic function, this thoughtfully designed benching platform is engineered for the evolving workplace.



Features

- Manufactured with high strength steel supports and cross braces.
- Electric motors exceed BIFMA cycle and strength standards.
- Available in single-sided, double-sided or 120 degree triple-sided applications, with multiple fixed or height adjustable return surface options and worksurface shapes.
- Option to create both adjustable or fixed height benches in same run.
- Easy access to power and data.
- Soft collision technology that halts and retracts when table surface meets resistance.
- Available in standard AIS finishes.



Laminates

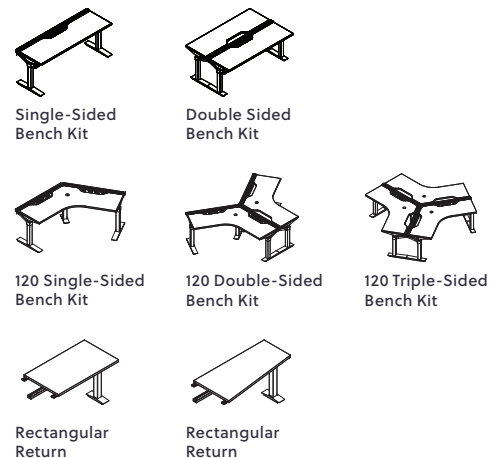
Select from a variety of Grade A laminates.*

| | | | | |
|-----------------|------------------|-----------------|--------------|---------------------------|
| | | | | |
| Absolute Acajou | Aimtoo Savatre | Black | Brazilwood | Cabinet Almond |
| | | | | |
| Chalk | Corporate Walnut | Dark Rum Cherry | Grand Cherry | Leave Likatre |
| | | | | |
| Linen | Looks Likatre | Midwest Maple | Nightfall | Paris White Potteryware** |
| | | | | |
| Recon Oak | Storm | Summer Drops | True White | Trytoo Savatre |

*Not all laminates have matching edgebands. Alternatives can be specified.

**Available for Bench Kit table tops only.

Aloft Bench Kits & Returns



For additional images: <http://imagelibrary.ais-inc.com/>

800.434.7400 | 978.562.7500 | www.ais-inc.com | info@ais-inc.com | 06/2019

AIS